

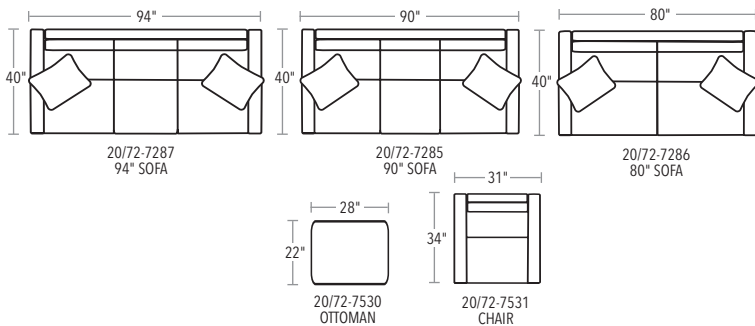
# EMERSON

REGENCY-STYLE SLOPED ARMS AND CLEAN LINES MEET MODERN COMFORTS LIKE LOOSE CUSHIONS. WITH YOUR CHOICE OF UPHOLSTERY FABRIC, YOU CAN LEAN INTO ITS HISTORIC INSPIRATION OR ITS MODERN SENSIBILITIES.



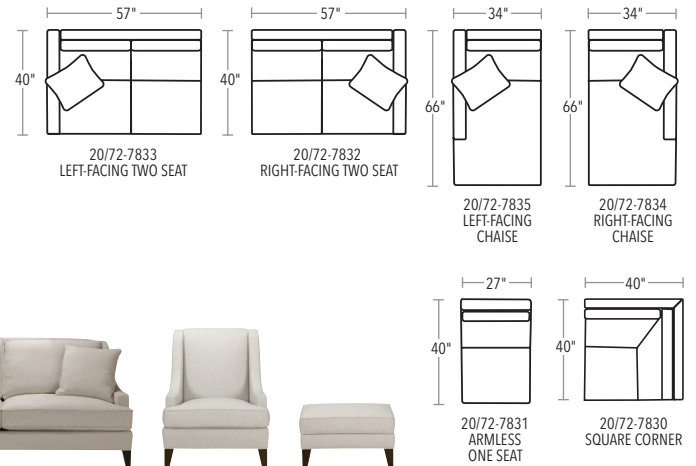
## SOFAS, CHAIR AND OTTOMAN

SOFAS ARE 36"H, CHAIR IS 39"H. OTTOMAN IS 17"H.



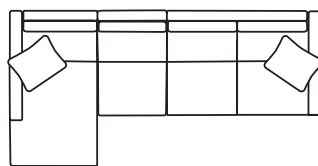
## SECTIONAL PIECES

SECTIONAL PIECES ARE AVAILABLE IN BOTH LEFT AND RIGHT CONFIGURATIONS. HEIGHT OF EACH PIECE IS 36"H.

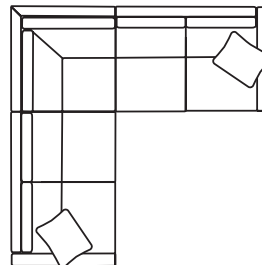


**TRY**  
THESE POPULAR  
SECTIONAL  
CONFIGURATIONS

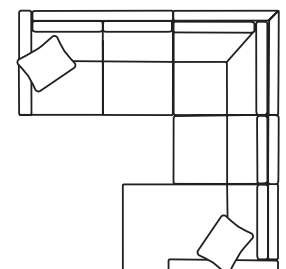
**THREE PIECE**  
20/72-7835, 20/72-7831, 20/72-7832



**THREE PIECE**  
20/72-7833, 20/72-7830, 20/72-7832



**FOUR PIECE**  
20/72-7833, 20/72-7830, 20/72-7831, 20/72-7834



**ETHAN ALLEN®**

©2023 Ethan Allen Global, Inc.