

# ETHAN ALLEN®

## Hauxley Plug-In Picture Light Assembly Instructions

09-8041P BRS / 09-8041P NKL

### IMPORTANT SAFETY INSTRUCTIONS

TO REDUCE THE RISK OF FIRE, ELECTRICAL SHOCK, AND PERSONAL INJURY: This lamp is equipped with a polarized plug. One plug blade is wider than the other. DO NOT MODIFY the plug or power cord in any way. DO NOT EXCEED the recommended bulb wattage. Use only the type of bulb specified. Keep flammable materials away from bulb. DO NOT OPEN the product or alter the wiring in any manner. Extension cord: Follow precautions provided with power cord.

**This lighting fixture is for indoor use only.**

### READ THESE INSTRUCTIONS COMPLETELY BEFORE STARTING.

CAUTION: Prior to installation, locate ALL INCLUDED PARTS before disposing of packaging materials.

### TOOLS REQUIRED FOR INSTALLATION:

1. Screwdrivers
2. Drill
3. Hammer

Note: Lightbulb(s) are not included.

Parts Included (refer to figure):								
Part	Qty.	Description	Part	Qty.	Description	Part	Qty.	Description
A	1	Shade	E	1	Mounting plate	I	2	Anchor
B	2	Socket	F	1	Plug cord	J	1	Plug screw (if hardwiring)
C	1	Backplate	G	1	Switch			
D	4	Screw	H	2	Tapping screw			

### Assembly Procedure (refer to figure):

1. Prior to installation, ensure that no wiring exists behind the wall you are using for installation. Check to see if a stud is available.
2. Remove all parts from carton. Do not throw away any parts.
3. Draw a 5-13/16" horizontal line on the wall, centered where you want the lamp.
4. Position the Mounting Plate (E) so that it is bisected by the line drawn on the wall. Insert a pencil through the Keyhole Slots and mark the wall.
5. Drill small pilot holes at marked locations on the wall. Holes should be sized so they accommodate the Wall Anchors (I) provided. Insert Wall Anchors (I) into drilled holes. Mount the Mounting Plate (E) onto the wall by drilling Tapping Screws (H) into Wall Anchors (I). Attach Backplate (C) to Mounting Plate (E) using Screws (D).
6. Install proper light bulbs (40-watt E12 candelabra bulb or LED equivalent) into Sockets (B).

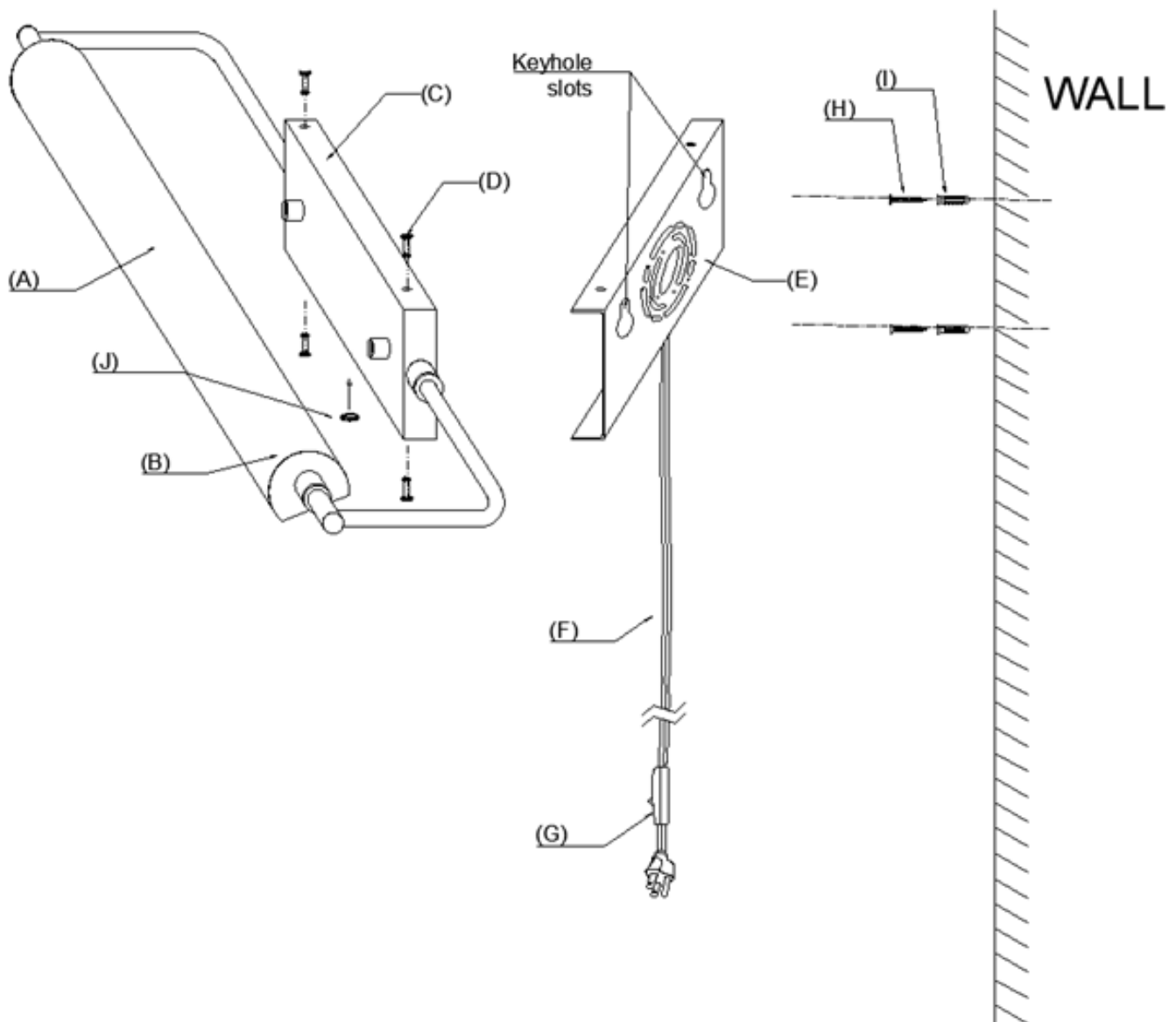
IMPORTANT SAFETY INSTRUCTIONS to convert to direct-wired lighting. We strongly recommend that all direct-wired lighting products be installed by a **licensed electrician**. Two people may be required for installation. DO NOT EXCEED the rated bulb wattage. Keep flammable materials away from bulb. This light fixture is shipped with all internal wiring intact. Do not open the product or alter the wiring. If installing as a hardwired fixture, installation requires an electrical junction box in the wall sufficient to support the weight of the light fixture.



**WARNING:** If installing as a hardwired fixture, be certain that the power to the electrical junction box is turned off at the circuit breaker before installation. Turning the power off at a light switch is not sufficient to prevent electrical shock. Then, the Plug Screw (J) can be used to cover the plug on the fixture.

### Care and Cleaning:

1. Wipe with a soft dry cloth.
2. AVOID cleaners, scouring pads, etc.



After troubleshooting, if the lighting fixture still does not work, contact your local Ethan Allen Design Center.

SAVE THESE INSTRUCTIONS