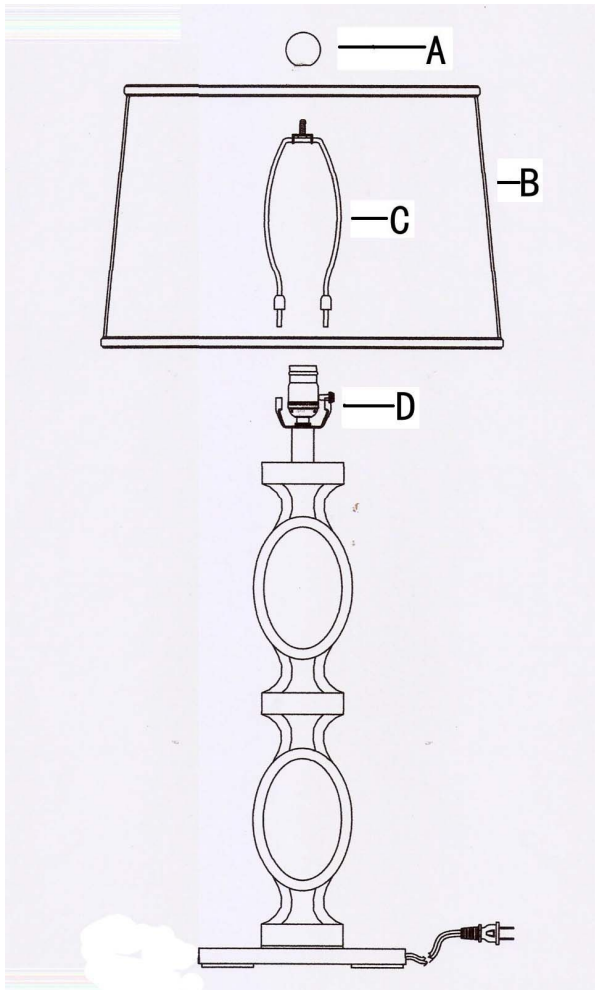


ETHAN ALLEN®

096718 Owen Ringed Table Lamp



ASSEMBLY INSTRUCTIONS

Carefully remove all parts from packaging and check materials thoroughly before disposing of box and packaging.

CAUTION: Do not plug the lamp into electrical outlet before assembly is completed.

1. Unpack all parts from carton carefully.
2. Place the Harp (C) on the Cradle (D).
3. Place the Shade (B) on the Harp (C) and secure with the Finial (A) until tightened.
4. Insert bulb of correct type and wattage. See label on lamp.
5. Remove protective plastic from the electrical plug
6. Insert the plug into the outlet.

©2011 Ethan Allen Global, Inc