

# ETHAN ALLEN™

## 09-6220 LESLIE CRYSTAL TABLE LAMP

### SAFETY, ASSEMBLY, CARE, AND TROUBLESHOOTING

**IMPORTANT SAFETY INSTRUCTIONS**

TO REDUCE THE RISK OF FIRE, ELECTRICAL SHOCK, AND PERSONAL INJURY:

This lighting fixture is for indoor use only. This lamp is equipped with a polarized plug. One plug blade is wider than the other. DO NOT MODIFY the plug or power cord in any way. DO NOT EXCEED the recommended bulb wattage. Use only the type of bulb specified. Keep flammable materials away from bulb. DO NOT OPEN the product or alter the wiring in any manner. Extension cord: Follow precautions provided with power cord.

**UNPACKING:**

Use care when unpacking. Locate ALL PARTS INCLUDED before disposing of packaging materials.

**ASSEMBLY, CARE, AND TROUBLESHOOTING**

Tools Required For Assembly: Tools are not required. Required: Light bulb is not included.

Parts Included: Refer to Figure 1.

- A. Shade Finial
- B. Shade
- C. Harp: *Harp styles may vary.*
- D. Lamp Socket (*attached, no assembly required*)
- E. Lamp Base

Assembly Procedure: Refer to Figure 1.

1. Install Harp Part C onto Lamp Base Part E.
2. Install Shade Part B onto Harp Part C.
3. Install Shade Finial Part A onto Harp Part C.
4. Install Bulb into Lamp Socket Part D.
5. Remove Plug Cap from Plug.

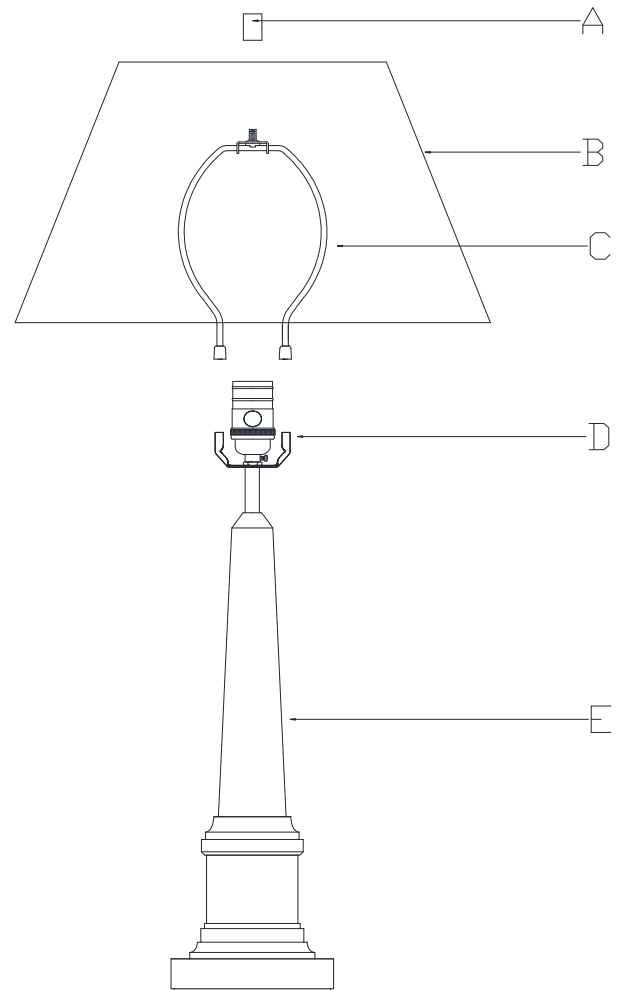
**Caring for and Cleaning your lamp:**

1. To clean, wipe with a soft dry cloth
2. DO NOT USE cleaners, scouring pads, etc.
3. Unplug lamp and allow bulb to cool before changing bulb.

**Troubleshooting:**

Problem:	Possible cause:	Correct by:
Bulb does not light	Bulb is burnt out or damaged	Replace bulb
	Power to lamp is off	Confirm power is on
	Lamp is not plugged in	Confirm lamp is plugged in

In the event that the lighting fixture does not work after troubleshooting, contact your local Ethan Allen Design Center.



SAVE THESE INSTRUCTIONS