

ETHAN ALLEN®

Nolan Table Lamp Assembly Instructions

09-6184

IMPORTANT SAFETY INSTRUCTIONS

TO REDUCE THE RISK OF FIRE, ELECTRICAL SHOCK, AND PERSONAL INJURY:

This lighting fixture is for indoor use only. This lamp is equipped with a polarized plug. One plug blade is wider than the other. DO NOT MODIFY the plug or power cord in any way. DO NOT EXCEED the recommended bulb wattage. Use only the type of bulb specified. Keep flammable materials away from the bulb. DO NOT OPEN the product or alter the wiring in any manner. If using an extension cord, follow precautions provided with the power cord.

Use care when unpacking. Locate ALL THE PARTS INCLUDED before disposing of packaging materials. Remove the silica gel packet from the socket before plugging the lamp into an outlet.

ASSEMBLY, CARE, AND TROUBLESHOOTING

- No tools required for assembly
- Light bulb is not included

Parts Included: (Refer to Figure)

- A. Shade Finial
- B. Harp
- C. Shade
- D. Socket (*attached, no assembly required*)
- E. Saddle (*attached, no assembly required*)

Assembly Procedure: (Refer to the Figure)

1. Install Harp (B) onto Saddle (E).
2. Install Shade (C) onto Harp (B).
3. Install Shade Finial (A) onto Harp (B).
4. Install bulb into Lamp Socket (D).
5. Remove plug cap from plug.

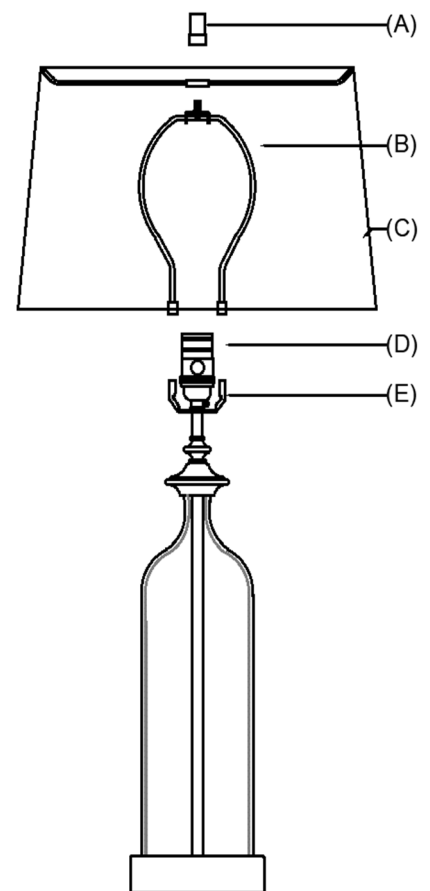
Caring for and cleaning your lamp:

1. To clean, wipe with a soft, dry cloth.
2. Avoid cleaners, scouring pads, etc., as these may cause damage to the lamp finish.
3. Before changing bulb, unplug the lamp and allow the bulb to cool first.

Troubleshooting

Problem:	Possible cause:	Correction:
Bulb does not light	Bulb is burnt or damaged	Replace bulb
	Power to lamp is off	Confirm power is on
	Lamp is not plugged in	Confirm lamp is plugged in

If the fixture still does not work after troubleshooting, please contact your local Ethan Allen Design Center.



SAVE THESE INSTRUCTIONS