

# ETHAN ALLEN®

## WENFORD ALABASTER TABLE LAMP SAFETY, ASSEMBLY, CARE, AND TROUBLESHOOTING

09-6168

### IMPORTANT SAFETY INSTRUCTIONS TO REDUCE THE RISK OF FIRE, ELECTRICAL SHOCK, AND PERSONAL INJURY.

This lighting fixture is for indoor use only. This lamp is equipped with a polarized plug. One plug blade is wider than the other. **DO NOT MODIFY** the plug or power cord in any way. **DO NOT EXCEED** the recommended bulb wattage. Use only the type of bulb specified. Keep flammable materials away from bulb. **DO NOT OPEN** the product or alter the wiring in any way. **Extension cord: Follow precautions provided with power cord.**

**CAUTION:** Use care when unpacking. Locate ALL PARTS INCLUDED before disposing of packaging materials.

### ASSEMBLY, CARE, AND TROUBLESHOOTING

No tools are required for assembly. Light bulb is not included.

#### Parts Included (refer to figure):

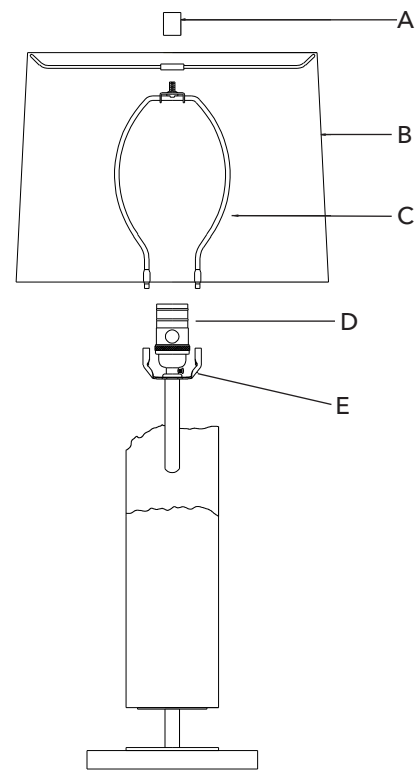
- A. Shade Finial
- B. Shade
- C. Harp (*styles may vary*)
- D. Lamp Socket (*attached, no assembly required*)
- E. Saddle

#### Assembly Procedure (refer to figure):

1. Insert Harp (C) into Saddle (E).
2. Lower Shade (B) onto Harp (C).
3. Screw Shade Finial (A) onto Harp (C).
4. Insert bulb into Lamp Socket (D).

#### CARE AND CLEANING

1. To clean, wipe with a soft dry cloth.
2. **AVOID USING** cleaners, scouring pads, etc.
3. Before changing bulb(s), unplug lamp and allow the bulb(s) to cool.



TROUBLESHOOTING		
Problem:	Possible Cause:	What to Do:
Bulb does not light	Bulb is burnt out or damaged	Replace bulb
	Power to lamp is off	Confirm power is on
	Lamp is not plugged in	Confirm lamp is plugged in

After troubleshooting, if the light fixture still does not work, contact your local Ethan Allen Design Center.

SAVE THESE INSTRUCTIONS