

ETHAN ALLEN®

096091 Aubrey Glass Table Lamp Base

ASSEMBLY INSTRUCTIONS

IMPORTANT SAFETY INSTRUCTIONS

TO REDUCE THE RISK OF FIRE, ELECTRICAL SHOCK AND PERSONAL INJURY:

This lighting fixture is for indoor use only. This lamp is equipped with a polarized plug. One plug blade is wider than the other. DO NOT MODIFY the plug or power cord in any way. DO NOT EXCEED the recommended bulb wattage. Use only the type of bulb specified. Keep flammable materials away from bulb. DO NOT OPEN the product or alter the wiring in any manner. Extension cord: Follow precautions provide with power cord.

UNPACKING:

Use care when unpacking. Locate ALL PARTS INCLUDED before disposing of packing materials.

ASSEMBLY, CARE, AND TROUBLESHOOTING

Tools Required for Assembly: Tools are not required.

Required: Light bulb and Shade are not included.

Parts Included: Refer to Figure 1.

- A. Shade Finial
- B. Shade (Purchase Separately)
- C. Iron Pipe
- D. Lamp Base

Assembly Procedure: Refer to Figure 1.

1. Unpack all parts from carton carefully.
2. Pull excess cord through the lamp body (D).
3. Twist Iron Pipe (C) onto the glass lamp body (D).
4. Place Shade (B) onto Iron Pipe (C). Secure with Finial (A).

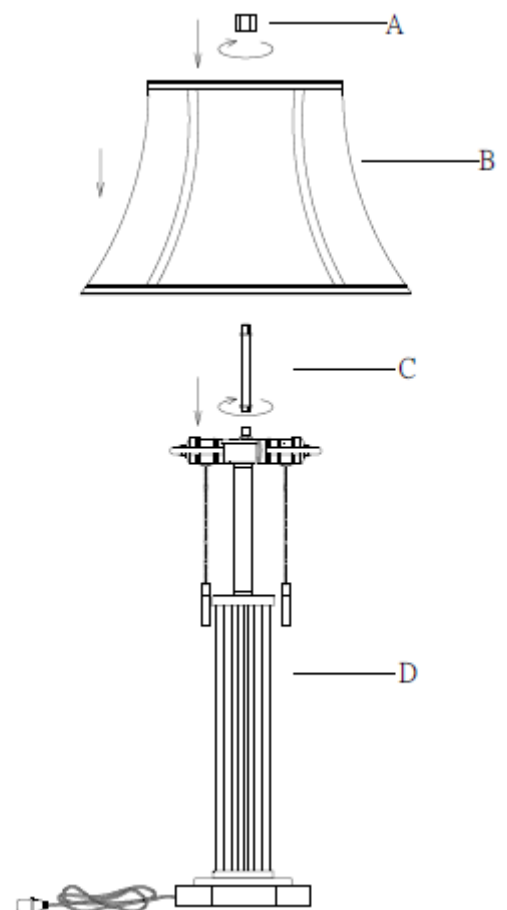
Caring for and Cleaning your lamp:

1. To clean, wipe with soft dry cloth.
2. DO NOT USE cleaners, scouring pads, etc.
3. Unplug lamp and allow bulb to cool before changing bulb.

Troubleshooting:

Problem:	Possible cause:	Correct by:
Bulb does not light	Bulb is burnt out or damage	Replace bulb
	Power to lamp is off	Confirm power is on
	Lamp is not plugged in	Confirm lamp is plugged in

In the event that the lighting fixture does not work after Troubleshooting, contact your local Ethan Allen Design Center.



SAVE THESE INSTRUCTIONS