

ETHAN ALLEN®

Raija Glass Chandelier Assembly Instructions

09-3626 / 09-3112

IMPORTANT SAFETY INSTRUCTIONS. READ THESE INSTRUCTIONS COMPLETELY BEFORE STARTING.

We strongly recommend that all direct-wired lighting products be installed by a licensed electrician. Two people may be required for installation. DO NOT EXCEED the rated bulb wattage. Keep flammable materials away from bulb. This light fixture is shipped with all internal wiring intact. Do not open the product or alter the wiring in any manner.

Installation requires an electrical junction box in the ceiling sufficient to support the weight of the light fixture.

This fixture weighs 40.5 lbs./18.4 kg.



WARNING: Be certain that the power to the electrical junction box is turned off at the circuit breaker before installation. Turning the power off at a light switch is not sufficient to prevent electrical shock.

CAUTION: Prior to installation, locate ALL INCLUDED PARTS before disposing of packaging materials.

TOOLS REQUIRED FOR INSTALLATION:

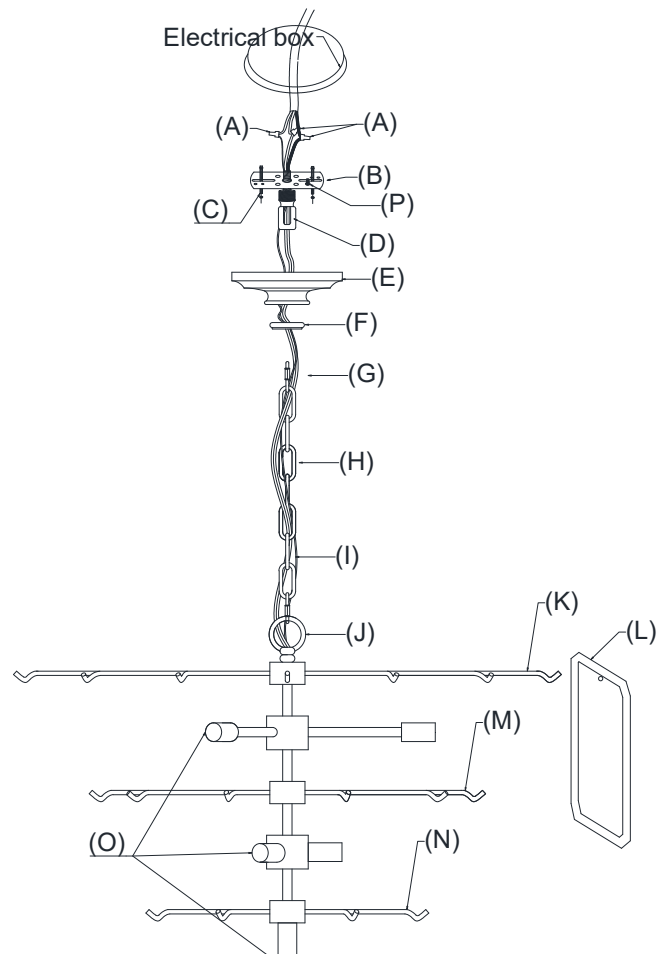
1. Screwdrivers
2. Electrical Tape
3. Wire Cutters
4. Pliers
5. Wire Connectors
6. Adjustable Wrench

Note: Lightbulb(s) are not included, except where required by State of California Title 20. See light fixture for bulb specification. Additional wiring supplies may be required.

Parts Included (refer to figure):					
Part	Qty.	Description	Part	Qty.	Description
A	3	Wire Nuts	I	1	Cord
B	1	Mounting Bar	J	1	Loop
C	2	Mounting Bar Screws	K	1	Top layer bracket with hook
D	1	Threaded Tube with Loop	L	32	Glass Panel
E	1	Canopy	M	1	Middle layer bracket with hook
F	1	Collar	N	1	Bottom lay bracket with hook
G	2	Quick Links	O	7	Socket
H	1	Chain </td <td>P</td> <td>1</td> <td>Ground Screw</td>	P	1	Ground Screw

Assembly Procedure (refer to figure):

1. SHUT OFF THE MAIN ELECTRICAL SUPPLY AT FUSE BOX/CIRCUIT BREAKER.
2. Remove all parts from carton. Do not throw away any parts.
3. Remove Mounting Bar (B), with Threaded Tube (D) attached, from Canopy (E) by loosening Collar (F).
4. Affix Mounting Bar (B) to ceiling outlet box with Mounting Bar Screws (C) provided.



Raija Glass Chandelier Assembly Instructions continued

09-3626

5. Guide wiring from Chain (H) and Collar (F) through Canopy (E) and Threaded Tube (D).
6. Make proper electrical connections described in steps 7—9. A LICENSED ELECTRICIAN IS RECOMMENDED.
7. Attach the BARE WIRE from the fixture to the GROUND JUNCTION BOX WIRE from the OUTLET JUNCTION BOX. Fasten each together with a WIRE NUT (A) by twisting the connector in a clockwise direction and wrap the connection with electrical tape. Make sure that no wire strands are exposed. If your OUTLET JUNCTION BOX DOES NOT have a GROUND WIRE, be sure to insert the GROUND SCREW (P) into the MOUNTING BAR (B), marked as “GND,” facing front, and wrap the fixture’s bare GROUND WIRE around the GROUND SCREW. Tighten the screw to clamp the GROUND WIRE between GROUND SCREW (P) head and MOUNTING BAR (B). IT IS IMPERATIVE THAT THE JUNCTION BOX IN YOUR HOME BE PROPERLY GROUNDED!
8. Connect the NEUTRAL FIXTURE WIRE to the NEUTRAL JUNCTION BOX WIRE. Fasten each together with a WIRE NUT (A) by twisting the connector in a clockwise direction and wrap the connection with electrical tape. Make sure that no wire strands are exposed.
9. Connect the HOT FIXTURE WIRE to the HOT JUNCTION BOX WIRE. Fasten each together with a WIRE NUT (A) by twisting the connector in a clockwise direction and wrap the connection with electrical tape. Make sure that no wire strands are exposed. DO NOT REVERSE THE HOT AND NEUTRAL CONNECTIONS OR SAFETY WILL BE COMPROMISED.
10. Carefully push wire connections back into ceiling outlet box.
11. Lift Canopy (E) to ceiling outlet box and secure with Collar (F).
12. Hang the glass panel (L) to the hooks on the three bracket layers (K)/(M)/(N). When hanging the glass panels (L) please hold with clean cloth as not to add fingerprints on the panels. When hanging the glass panels switch to opposite sides as you add each panel so the fixture stays balanced.
13. Insert proper bulb into sockets (O).

Care and Cleaning:

1. Wipe with a soft dry cloth.
2. AVOID cleaners, scouring pads, etc.

After troubleshooting, if the lighting fixture still does not work, contact your local Ethan Allen Design Center.

SAVE THESE INSTRUCTIONS