

ETHAN ALLEN®

LALITA GLASS PENDANT, GRAY ASSEMBLY INSTRUCTIONS

09-3132

IMPORTANT SAFETY INSTRUCTIONS. READ THESE INSTRUCTIONS COMPLETELY BEFORE STARTING.

We strongly recommend that all direct-wired lighting products be installed by a licensed electrician. Two people may be required for installation. DO NOT EXCEED the rated bulb wattage. Keep flammable materials away from bulb. This light fixture is shipped with all internal wiring intact. Do not open the product or alter the wiring in any manner.

Installation requires an electrical junction box in the ceiling sufficient to support the weight of the light fixture. This fixture weighs 3.5 lb. (1.5 kg).



WARNING: Be certain the power to the electrical junction box is turned off at the circuit breaker before installation. Turning the power off at a light switch is not sufficient to prevent electrical shock.

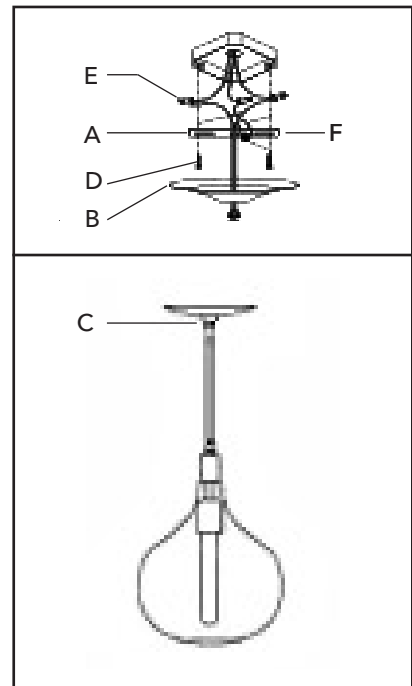
CAUTION: Prior to installation, locate ALL INCLUDED PARTS before disposing of packaging materials.

TOOLS REQUIRED FOR INSTALLATION

1. Phillips Screwdriver
2. Electrical Tape
3. Wire Cutters

Note: Lightbulb(s) are not included, except where required by State of California Title 20. See light fixture for bulb specification. Additional wiring supplies may be required.

Parts Included (refer to figure):		
Part	Qty.	Description
A	1	Mounting Plate
B	1	Canopy
C	1	Collar
D	2	Mounting Screws
E	2	Plastic Wire Connectors
F	1	Ground Screw



Assembly Procedure (refer to figure):

1. SHUT OFF THE MAIN ELECTRICAL SUPPLY AT THE FUSE BOX/JUNCTION.
2. Remove all parts from carton. Do not throw away any parts.
3. Gently pull wiring down from ceiling junction box and allow it to hang.
4. Remove Mounting Plate (A) from the Canopy (B) by unscrewing the Collar (C).
5. Make proper electrical connection as described in steps 6-9. A LICENSED ELECTRICIAN IS RECOMMENDED.

Lalita Glass Pendant, Gray Assembly Instructions

09-3132

6. Carefully inspect the pendant's fixture wires.

Neutral fixture wire: White

Hot fixture wire: Black

Ground wire: Green

7. Attach the GROUND WIRE from the fixture to the GROUND JUNCTION BOX WIRE from the OUTLET JUNCTION BOX. Fasten each together with a plastic wire connector by twisting the connector in a clockwise direction and wrap the connection with electrical tape. Make sure that no wire strands are exposed. If your OUTLET JUNCTION BOX DOES NOT have a GROUND WIRE, be sure to insert the GROUND SCREW (F) into the MOUNTING PLATE (A), marked as "GND," facing front, and wrap the fixture's bare GROUND WIRE around the GROUND SCREW. Tighten the screw to clamp the GROUND WIRE between GROUND SCREW (F) head and MOUNTING PLATE (A). IT IS IMPERATIVE THAT THE JUNCTION BOX IN YOUR HOME BE PROPERLY GROUNDED!

8. Connect the NEUTRAL FIXTURE WIRE to the NEUTRAL JUNCTION BOX WIRE. Fasten each together with a plastic wire connector by twisting the connector in a clockwise direction and wrap the connection with electrical tape. Make sure that no wire strands are exposed.

9. Connect the HOT FIXTURE WIRE to the HOT JUNCTION BOX WIRE. Fasten each together with a plastic wire connector by twisting the connector in a clockwise direction and wrap the connection with electrical tape. Make sure that no wire strands are exposed. DO NOT REVERSE THE HOT AND NEUTRAL CONNECTIONS OR SAFETY WILL BE COMPROMISED.

10. Carefully push wire connections back into ceiling junction box.

11. Place the Mounting Plate (A) over the center of the ceiling junction box.

12. Align holes in Mounting Plate (A) with holes in junction box and attach with two Mounting Screws (D). Secure Mounting Screws (D) with a Phillips head screwdriver.

13. Push Canopy (B) up over the Mounting Plate (A) until it is flush with the ceiling.

14. Push Collar (C) through hole in Canopy (B) and thread onto nipple on the Mounting Plate (A). Secure by turning Collar (C) clockwise until Canopy (B) is flush with the ceiling.

15. Insert proper bulb into the socket.

Care and Cleaning

1. Wipe with a soft dry cloth.

2. AVOID cleaners, scouring pads, etc.

After troubleshooting, if the light fixture still does not work, contact your local Ethan Allen Design Center.

SAVE THESE INSTRUCTIONS