

ETHAN ALLEN®

TILLY GREY CHANDELIER ASSEMBLY INSTRUCTIONS

09-3128

IMPORTANT SAFETY INSTRUCTIONS, READ THESE INSTRUCTIONS COMPLETELY BEFORE STARTING.

We strongly recommend that all direct-wired lighting products be installed by a licensed electrician. Two people may be required for installation. DO NOT EXCEED the rated bulb wattage. Keep flammable materials away from bulb. This light fixture is shipped with all internal wiring intact. Do not open the product or alter the wiring in any manner.

Installation requires an electrical junction box in the ceiling sufficient to support the weight of the light fixture. This fixture weighs: 21.23lb(9.65kg).



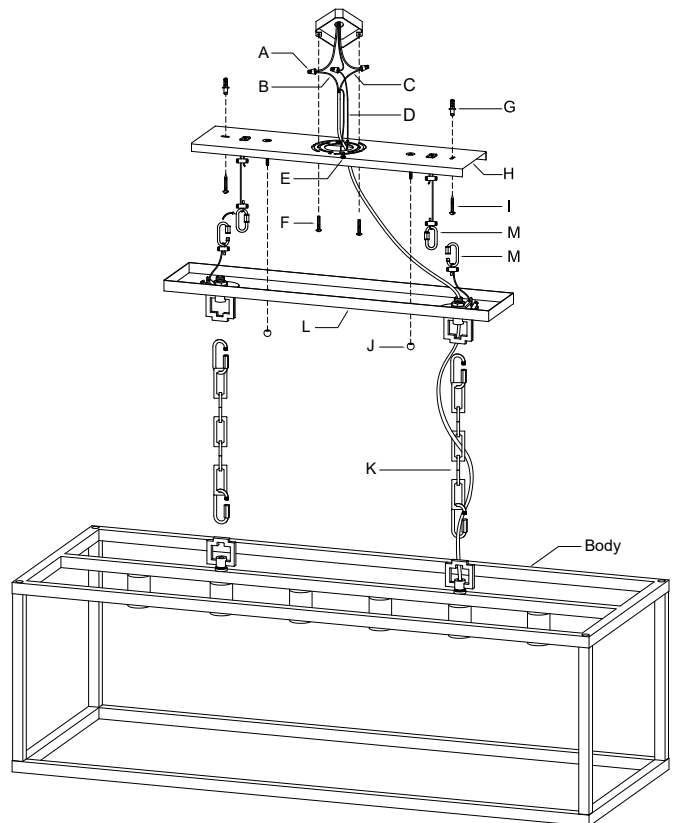
WARNING: Be certain that the power to the electrical junction box is turned off at the circuit breaker before installation. Turning the power off at a light switch is not sufficient to prevent electrical shock. *Remove the silica gel pack from the socket before plugging the lamp in.*

CAUTION: Prior to installation, locate All INCLUDED PARTS before disposing of packaging materials.

Tools Required For Installation:	
Screwdrivers	Pliers
Electrical Tape	Wire Connectors
Wire Cutters	Adjustable Wrench

Note: Lightbulbs are not included, except where required by State of California Title 20. See light fixture for bulb specification. Additional wiring suppliers may be required.

Parts Included (Refer to figure) :		
Part	Qty.	Description
A	3	Wire Connector
B	1	Hot Fixture Wire
C	1	Neutral Fixture Wire
D	1	Ground Wire
E	1	Ground Screw
F	2	Outlet Box Screw
G	2	Plastic Anchors
H	1	Mounting Plate
I	2	Mounting Screw
J	2	Ball Nut
K	2	Chain
L	1	Canopy
M	4	Closable Link



Assembly Procedure (refer to figure):

1. SHUT OFF THE MAIN ELECTRICAL SUPPLY AT FUSEBOX/CIRCUIT BREAKER.
2. Remove all parts from carton. Do not throw away any parts.

Tilly Grey Chandelier Assembly Instructions continued

09-3128

3. Hold the Mounting Plate (H) over the ceiling junction box to mark the location for Plastic Anchors (G) on ceiling. Check that this is level before installing Plastic Anchors (G). Mount the Plastic Anchors (G) to the ceiling.
4. Secure the Mounting Plate (H) onto the ceiling junction box by screwing the Outlet Box Screw (F) into the Plastic Anchors (G). Screw the Mounting Screws (I) into the Mounting Plate (H) as shown. Tighten with a screwdriver until secure.
5. Open the top and bottom links of the Chain (K) with pliers. Connect the bottom link of the Chain (K) to loop on the body and close the link. Connect the top link of the Chain (K) to the loop on the Canopy (L) and close the link.
6. Gently pull existing ground, hot, and neutral wires down from the ceiling junction box and allow these to hang.
7. With another person holding the weight of the light fixture, unscrew each screw cap from the Closable Links (M) of Canopy (L), and attach each Closable Link (M) of the Canopy (L) onto each Closable Link (M) from the Mounting Plate (H). Tighten each screw cap. Now the lighting fixture is supported by the steel wire.
8. Carefully inspect the fixture wires. The Neutral Fixture Wire (C) is transparent with a white line. The Hot Fixture Wire (B) is transparent without any line, and the Ground Wire (D) is transparent with a green line.
9. Make proper electrical connections described in steps 9–11. A LICENSED ELECTRICIAN IS RECOMMENDED.
10. Attach the GROUND WIRE (D) from the fixture to the GROUND JUNCTION BOX WIRE from the OUTLET JUNCTION BOX. Fasten each together with a WIRE CONNECTOR (A) by twisting the connector in a clockwise direction and wrap the connection with electrical tape. Make sure that no wire strands are exposed. If your CEILING JUNCTION BOX DOES NOT have a GROUND WIRE, be sure to insert the GROUND SCREW (E) into the MOUNTING PLATE (H), marked as “Ground,” facing front, and wrap the fixture’s bare GROUND WIRE (D) around the GROUND SCREW (E). Tighten the screw to clamp the GROUND WIRE (D) between GROUND SCREW (E) head and MOUNTING PLATE (H). IT IS IMPERATIVE THAT THE JUNCTION BOX IN YOUR HOME BE PROPERLY GROUNDED!
11. Connect the NEUTRAL FIXTURE WIRE (C) to the NEUTRAL JUNCTION BOX WIRE. Fasten each together with a WIRE CONNECTOR (A) by twisting the connector in a clockwise direction and wrap the connection with electrical tape. Make sure that no wire strands are exposed.
12. Connect the HOT FIXTURE WIRE (B) to the HOT JUNCTION BOX WIRE. Fasten each together with a WIRE CONNECTOR (A) by twisting the connector in a clockwise direction and wrap the connection with electrical tape. Make sure that no wire strands are exposed. DO NOT REVERSE THE HOT AND NEUTRAL CONNECTIONS OR SAFETY WILL BE COMPROMISED.
13. Carefully push wire connections back into ceiling junction box.
14. Place the Canopy (L) over the ceiling junction box, aligning the screws on the Mounting Plate (H) with the mounting holes on the Canopy (L). Lock it securely with the Ball Nut (J).
15. Insert SIX (6) 25-Watt MAXMIUM Type T standard medium base incandescent light bulb (not included) or SIX (6) MAXIMUM 6-Watt compact fluorescent light bulb (not included) or SIX (6) MAXIMUM 4-Watt LED light bulb (included). DO NOT EXCEED SPECIFIED WATTAGE.
16. For your convenience SIX (6) 4-Watt LED light bulb are included.

Care and Cleaning

1. Wipe with a soft dry cloth.
2. AVOID cleaners, scouring pads, etc.

After troubleshooting, if the light fixture still does not work, contact your local Ethan Allen Design Center.

SAVE THESE INSTRUCTIONS