

ETHAN ALLEN®

093120 SKYLA BRASS CHANDELIER LAMP SAFETY INSTALLATION AND CARE INSTRUCTIONS

IMPORTANT SAFETY INSTRUCTIONS

READ THESE INSTRUCTIONS COMPLETELY BEFORE STARTING.

We strongly recommend that all direct-wired lighting products be installed by a licensed electrician. Two people may be required for installation. DO NOT EXCEED the rated bulb wattage. Keep flammable materials away from bulb. This light fixture is shipped with all internal wiring intact. Do not open the product or alter the wiring in any manner.

Installation requires an electrical junction box in the ceiling sufficient to support the weight of the light fixture. This fixture weighs: 49.5lbs.



WARNING : Be certain that the power to the electrical junction box is turned off at the circuit breaker before installation. Turning the power off at a light switch is not sufficient to prevent electrical shock.

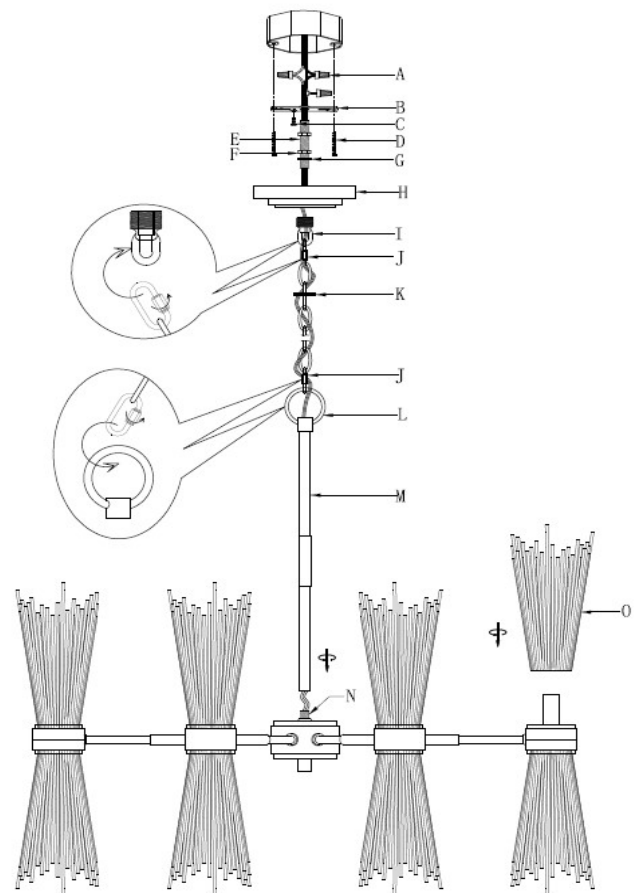
CAUTION : Prior to installation, locate All INCLUDED PARTS before disposing of packaging materials.

Tools Required For Installation :	
Screwdrivers	Pliers
Electrical Tape	Wire Connectors
Wire Cutters	Adjustable Wrench

Note: Lightbulb(s) are not included, except where required by State of California Title 20. See light fixture for bulb specification. Additional wiring supplies may be required.

Parts Included (See Figure 1) :			
A.	Wire Connector	I.	Collar Loop
B.	Mounting Bracket	J.	Thread Ring
C.	Ground Screw	K.	Chain
D.	Mounting Screw	L.	Fixture Loop
E.	Nipple	M.	Centre Rod
F.	Hex Nut	N.	Fixture Body
G.	Lock Washer	O.	Shade
H.	Canopy		

Figure 1



093120 SKYLA BRASS

CHANDELIER LAMP SAFETY

INSTALLATION AND CARE INSTRUCTIONS

Installation Procedure (See Figure 1):

1. SHUT OFF THE MAIN ELECTRICAL SUPPLY FROM THE MAINFUSE BOX/CIRCUIT BREAKER.
2. Carefully unpack all fixture parts and hardware and lay them out on a clear work surface.
3. Attach the Centre Rod (M) onto the Fixture Body (N), and fasten it by turning clockwise. Gently hold the wire and avoid twisting it while fastening the Centre Rod.
4. Attach the Mounting Bracket (B) to the Ceiling Outlet Junction Box using the Mounting Screws (D). Tighten screws (D) with a Screwdriver until secure.
5. Position the Lock Washer (G) and Hex Nut (F) on the lower portion of the Nipple (E) and another Hex Nut (F) on the upper portion of the Nipple (E).
6. Screw Nipple (E) on the Mounting Bracket (B) and tighten with Hex Nut (F) using a hex wrench or a pair of pliers. Attach Collar Loop (I) on the Nipple (E) and tighten with the Lock Washer (G) and Hex Nut (F) to firmly secure.
7. Determine the desired lighting fixture suspension length from the ceiling, allowing extra cord length for the Ceiling Outlet Junction Box wire connections as noted below.
8. Adjust the fixture's power cord from the Canopy (H).
9. The Chain (K) length may be shortened from the top end by using pliers to remove chain links. Use a cloth or a folded piece of paper between the pliers and each link to protect the finish on the link during this process. To remove a link, use two pairs of pliers to create an opening at the link's split line. To remove a length of Chain (K), select the top link and remove it with the connected links intact. When the Chain (K) is at the desired length, attach the top link to the Collar Loop (I) by Quick Link. Re-weave the fixture's two-wire cord cable and bare ground wire through every other link in the Chain (K) and then through the Fixture loop (L), the Thread Ring (J), the Canopy (H), and then into the Mounting Bracket (B).
10. If needed, depending upon final fixture hanging position from the ceiling, cut off the extra length on the two-wire cord cable and bare ground wire. When cutting the power cord and bare ground wire, be sure to cut it so that it is at least 6" (152.4mm) long inside the Ceiling Outlet Junction Box. To prepare to cut power cord for the installation process, use wire strippers to prepare the ends of the two wires so that there is about 1/2" of exposed wire for the Wire Connectors (A).
11. Slip the Canopy (H) over the open, lower end of Chain (K) making sure the finished side of the canopy is facing downward towards the floor. Also slip the Thread Ring (J) onto the chain after the canopy.
12. Carefully inspect the chandelier's fixture wires. The Neutral Fixture Wire is ribbed. The Hot Fixture Wire is Smooth, and the bare copper wire is the Ground wire.
13. Gently pull existing Ground, Hot and Neural Junction Box Wires down from the ceiling junction box and allow wires to hang.
14. Attach the Ground Wire from the fixture to the Ground Junction Box Wire; it usually has green insulation around it or is bare wire. Fasten them together with a Wire Connector (A) and wrap the connection with electrical tape. Make sure that no wire strands are exposed. If your Ceiling Outlet Junction Box does not have a Ground Junction Box Wire, insert the Ground Screw (C) into the Mounting Bracket (B) where it's marked "Ground", and wrap the fixture's bare ground wire around the Ground Screw (C). Tighten the screw to clamp the Ground Junction Box Wire between the Ground Screw (C) head and the Mounting Bracket (B). It is imperative that the Ceiling Junction

Box in your home be properly grounded.

15. Connect the Neutral Fixture Wire to the Neutral Junction Box Wire; it usually has white insulation around it. Fasten them together with a Wire Connector (A) and wrap the connection with electrical tape. Make sure that no wire strands are exposed.
16. Connect the Hot Fixture Wire to Hot Junction Box Wire; it usually has black insulation around it. Fasten them together with a Wire Connector (A) and wrap the connection with electrical tape. Make sure that no wire strands are exposed. Do not reverse the hot and neutral connections or safety will be compromised.
17. Gently tuck the wire connections neatly into the Ceiling Outlet Junction Box.
18. Slide the Canopy (H) and the Threaded Ring (J) up the Chain (K).
19. Place the Canopy (H) over the Ceiling Outlet Junction Box and secure it in place by screwing the Threaded Ring (J) onto the Collar Loop (I).
20. Place the Shade (O) on the socket and secure it by rotating it clockwise.
21. Insert Sixteen (16) 25-Watt maximum Type B candelabra incandescent light bulbs (not included) or Sixteen (16) 6-Watt maximum compact fluorescent bulbs (not included) or Sixteen (16) 4-Watt maximum LED light bulb (not included) into each socket. Do not exceed the specified wattage.
22. Restore power to Ceiling Outlet Junction Box and test the fixture.

CARE AND CLEANING:

To clean, wipe the light fixture ONLY with a soft dry cloth.

In the event that the light fixture does not work, contact your local Ethan Allen Design Center.