

ETHAN ALLEN®

Percie Cage Pendant ASSEMBLY INSTRUCTIONS

093071 BRS

IMPORTANT SAFETY INSTRUCTIONS. READ THESE INSTRUCTIONS COMPLETELY BEFORE STARTING.

We strongly recommend that all direct-wired lighting products be installed by a licensed electrician. Two people may be required for installation. DO NOT EXCEED the rated bulb wattage. Keep flammable materials away from bulbs. This light fixture is shipped with all internal wiring intact. Do not open the product or alter the wiring in any manner.

Installation requires an electrical junction box in the ceiling sufficient to support the weight of the light fixture. This fixture weighs: 21 lb. (9.6 kg).



WARNING: Be certain that the power to the electrical junction box is turned off at the circuit breaker before installation. Turning the power off at a light switch is not sufficient to prevent electrical shock.

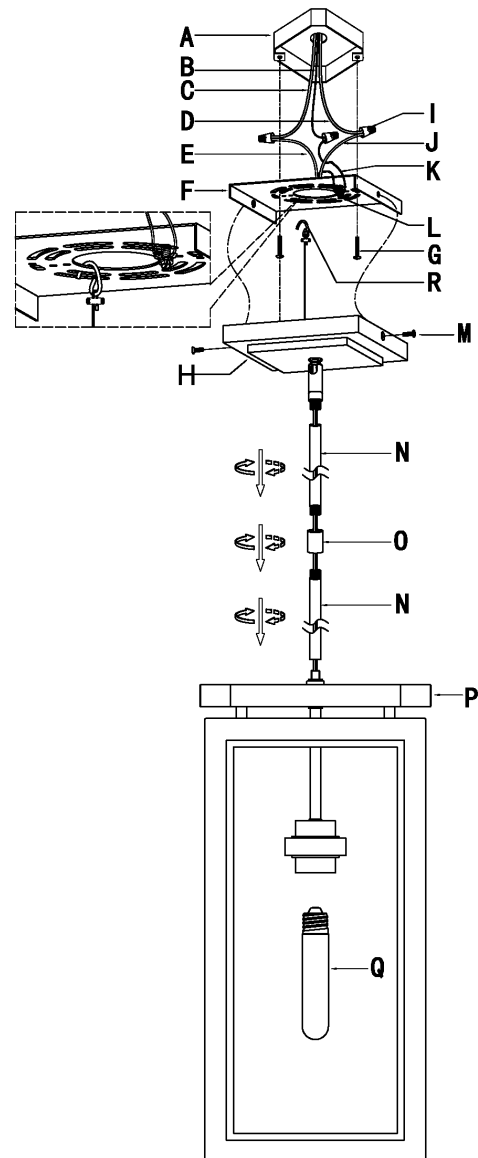
CAUTION: Prior to installation, locate All INCLUDED PARTS before disposing of packaging materials.

TOOLS REQUIRED FOR INSTALLATION	
Screwdrivers	Pliers
Electrical Tape	Wire Connectors
Wire Cutters	Adjustable Wrench

Note: One 4-WATT LED T Lightbulb is included. See light fixture for bulb specification. Additional wiring supplies may be required.

Parts Not Included:		
Part	Qty.	Description
A	1	Ceiling Outlet Junction Box
B	1	Ground Junction Box Wire
C	1	Hot Junction Box Wire
D	1	Neutral Junction Box Wire

Parts Included (Refer to figure):		
Part	Qty.	Description
E	1	Hot Fixture Wire
F	1	Mounting Plate
G	2	Mounting Screws
H	1	Canopy
I	3	Wire Connectors
J	1	Neutral Fixture Wire
K	1	Ground Fixture Wire
L	1	Ground Screw
M	2	Screw
N	2	Hanging Rod
O	1	Nut
P	1	Fixture Body
Q	1	Light bulb
R	1	Support Cable



093071 BRS Percie Cage Pendant Assembly Instructions, continued

Assembly Procedure (refer to the figure):

1. SHUT OFF THE MAIN ELECTRICAL SUPPLY FROM THE MAIN FUSE BOX/CIRCUIT BREAKER.
2. Remove all the parts from the carton. Do not throw away any parts.
3. Secure Mounting Plate (F) onto ceiling outlet box by Mounting Screws (G). Tighten the screws with a screwdriver until secure.
4. Gently pull existing Ground (B), Hot (C), and Neutral (D) Junction Box Wires down from the Ceiling Junction Box (A) and allow them to hang.
5. Calculate the desired distance from the ceiling to the pendant fixture itself; this will determine whether you use one or two Hanging Rods (N). Each rod has a coupling on one end and a male thread at the other end.
6. Feed the chandelier wires through one Hanging Rod (N) starting from the side with the coupling. After the wire has been fed through the first rod, connect the coupling end of the rod to the Fixture Body (P) using the threaded nipple protruding from the top of the fixture.
 - a. If more Hanging Rods (N) are required to achieve the desired length, feed the chandelier wire through the Nut (O) and attach the nut to the male end of the first rod. Feed the chandelier wire through the male end of the second Hanging Rod (N) and connect the male end to the Nut (O).
 - b. When you have connected the desired number of Hanging Rods (N), feed the remaining fixture wire length through the swivel on Canopy (H). Connect the swivel to either the coupling end of the second rod or to the nut.
7. Hold the fixture close to and aligned with the Mounting Plate (F). Attach the hook on the end of the Support Cable (R) into a slot located on the Mounting Plate (F). This step will allow the Support Cable (R) to support the weight of the fixture while you wire it.
8. If needed (depending upon final fixture hanging position from the ceiling), cut off the extra length on the fixture wire, ensuring that it is at least 6" (153 mm) long inside the Ceiling Outlet Junction Box (A). To prepare the cut fixture wire for the installation process, use wire strippers to prepare the ends of the two wires so that there is about 1/2" of exposed wire for the plastic Wire Connectors (I).
9. Carefully inspect the chandelier wires. The Neutral Fixture Wire (J) is ribbed. The Hot Fixture Wire (E) is smooth, and the Ground Fixture Wire (K) is bare silver.
10. Make proper electrical connections described in steps 11–13. A LICENSED ELECTRICIAN IS RECOMMENDED.
11. Attach the Ground Fixture Wire (K) to the Ground Junction Box Wire (B); it usually has green insulation around it or is bare wire. Fasten them together with a Wire Connector (I) and wrap the connection with electrical tape. Make sure that no wire strands are exposed. If your Ceiling Outlet Junction Box (A) does not have a Ground Junction Box Wire (B), insert the Ground Screw (L) into the Mounting Plate (F) where it's marked "Ground," and wrap the bare Ground Fixture Wire (K) around the Ground Screw (L). Tighten the screw to clamp the Ground Junction Box Wire (B) between the Ground Screw (L) head and the Mounting Plate (F). It is imperative that the Ceiling Junction Box (A) in your home be properly grounded.
12. Connect the Neutral Fixture Wire (J) to the Neutral Junction Box Wire (D); it usually has white insulation around it. Fasten them together with a plastic Wire Connector (I) and wrap the connection with electrical tape. Make sure that no wire strands are exposed.
13. Connect the Hot Fixture Wire (E) to the Hot Junction Box Wire (C); it usually has black insulation around it. Fasten them together with a plastic Wire Connector (I) and wrap the connection with electrical tape. Make sure that no wire strands are exposed. Do not reverse the hot and neutral connections or safety will be compromised.

093071 BRS Percie Cage Pendant Assembly Instructions, continued

14. Tuck the wire connections neatly into the Ceiling Outlet Junction Box (A).
15. Place the Canopy (H) over the Mounting Plate (F). Make sure the threaded holes on the Mounting Plate (F) align with the holes on the Canopy (H). Secure the Canopy (H) by screwing the Screws (M) onto threaded holes on the Mounting Plate (F).
16. Insert one (1) 60W-maximum Type T standard medium base incandescent light bulb (not included) or one (1) 4W-maximum LED bulb (included) into the socket. Do not exceed the specified wattage.
17. Restore power to Ceiling Outlet Junction Box (A) and test the fixture.

Care Instructions

1. Wipe with a soft, dry cloth.
2. AVOID cleaners, harsh chemicals, scouring pads, etc., as these may cause damage to the chandelier finish.

After troubleshooting, if the light fixture still does not work, contact your local Ethan Allen Design Center.

SAVE THESE INSTRUCTIONS