

# ETHANALLEN®

## Turnbull Chandelier Linear Assembly Instructions

09-3058 /093059

### IMPORTANT SAFETY INSTRUCTIONS. READ THESE INSTRUCTIONS COMPLETELY BEFORE STARTING.

We strongly recommend that all direct-wired lighting products be installed by a licensed electrician. Two people may be required for installation. DO NOT EXCEED the rated bulb wattage. Keep flammable materials away from bulb. This light fixture is shipped with all internal wiring intact. Do not open the product or alter the wiring in any manner.

Installation requires an electrical junction box in the ceiling sufficient to support the weight of the light fixture. This fixture weighs 18.3 lbs./8.3 kg.



**WARNING: Be certain that the power to the electrical junction box is turned off at the circuit breaker before installation. Turning the power off at a light switch is not sufficient to prevent electrical shock.**

**CAUTION:** Prior to installation, locate ALL INCLUDED PARTS before disposing of packaging materials.

### TOOLS REQUIRED FOR INSTALLATION:

1. Screwdrivers
2. Electrical Tape
3. Wire Cutters
4. Pliers
5. Wire Connectors
6. Adjustable Wrench

Additional wiring supplies may be required.

Note: Lightbulb(s) are not included, except where required by State of California Title 20. See light fixture for bulb specification.

Parts Included (refer to figure):								
Part	Qty.	Description	Part	Qty.	Description	Part	Qty.	Description
A	1	Mounting Plate	F	4	Screws	K	2	Extension Long Tube
B	1	Canopy	G	3	Wire nuts	L	2	Center box
C	4	Screws	H	2	Clutch	M	8	Shade
D	2	Mounting Plate Screws	I	4	Extension Short Tube	N	8	Socket Ring
E	4	Drywall Anchors	J	4	Extension Medium Tube	O	8	Socket
						P	1	Ground screw

### Assembly Procedure (refer to figure):

1. SHUT OFF THE MAIN ELECTRICAL SUPPLY AT FUSE BOX/CIRCUIT BREAKER.
2. Remove all parts from carton. Do not throw away any parts.
3. Remove Mounting Plate (A) from canopy (B) by loosening Screws (C).
4. Align the slots around one of the three mounting plates holes with your junction box, and use the provided Screws (C) to affix the Mounting Plate (A) to the junction box. Install the 4 screws (F) to ensure that the Mounting Plate (A) is flush with the ceiling, predrilling holes and using the provided drywall anchors (E) if applicable for your ceiling material and chandelier siting.
5. This Chandelier comes with extension tubes. Measure the desired drop for the fixture to hand and add or remove Extension Tubes (I)/(J)/(K) as needed.
6. Guide wiring from extension tubes (I)/(J)/(K), clutch (H) through Canopy(B)
7. Make proper electrical connections as described in steps 8-12. A LICENSED ELECTRICIAN IS RECOMMENDED.

## Turnbull Chandelier Linear Assembly Instructions continued

09-3058 / 093059

8. Attach ground wire from fixture (green or silver in color) to ground wire from junction box. Fasten wires together with Wire Nut (A) and tightly wrap connection with electrical tape. Make sure that no wire strands are exposed. If your ELECTRICAL JUNCTION BOX DOES NOT have a GROUND WIRE, be sure to insert the closest GROUND SCREW (V) into the MOUNTING BAR (B), marked as "GND," facing front, and wrap the fixture's bare GROUND WIRE around the GROUND SCREW. Tighten the screw to clamp the GROUND WIRE between GROUND SCREW (P) head and MOUNTING BAR (B).  
IT IS IMPERATIVE THAT THE JUNCTION BOX IN YOUR HOME BE PROPERLY GROUNDED!
9. Trim excess wire and save a 6" length of each color to be used as spare wires in the hot and neutral connections described in steps 10-11 .
10. Connect the NEUTRAL FIXTURE WIRE to the NEUTRAL JUNCTION BOX WIRE. Fasten each together with a WIRE NUT (G) by twisting the connector in a clockwise direction and wrap the connection with electrical tape. Make sure that no wire strands are exposed.
11. Connect the HOT FIXTURE WIRE to the HOT JUNCTION BOX WIRE. Fasten each together with a WIRE NUT (G) by twisting the connector in a clockwise direction and wrap the connection with electrical tape. Make sure that no wire strands are exposed. DO NOT REVERSE THE HOT AND NEUTRAL CONNECTIONS OR SAFETY WILL BE COMPROMISED.
12. Carefully push the wire connections back into the ceiling junction box. Lift the Canopy (B) to the ceiling and secure it to the Mounting Plate (A) with the Screws (C).
13. Remove the socket ring (N) from socket (O) , put shade (M) on and secure with socket ring (N) and repeat for all shades.
14. Install proper lightbulbs into sockets.

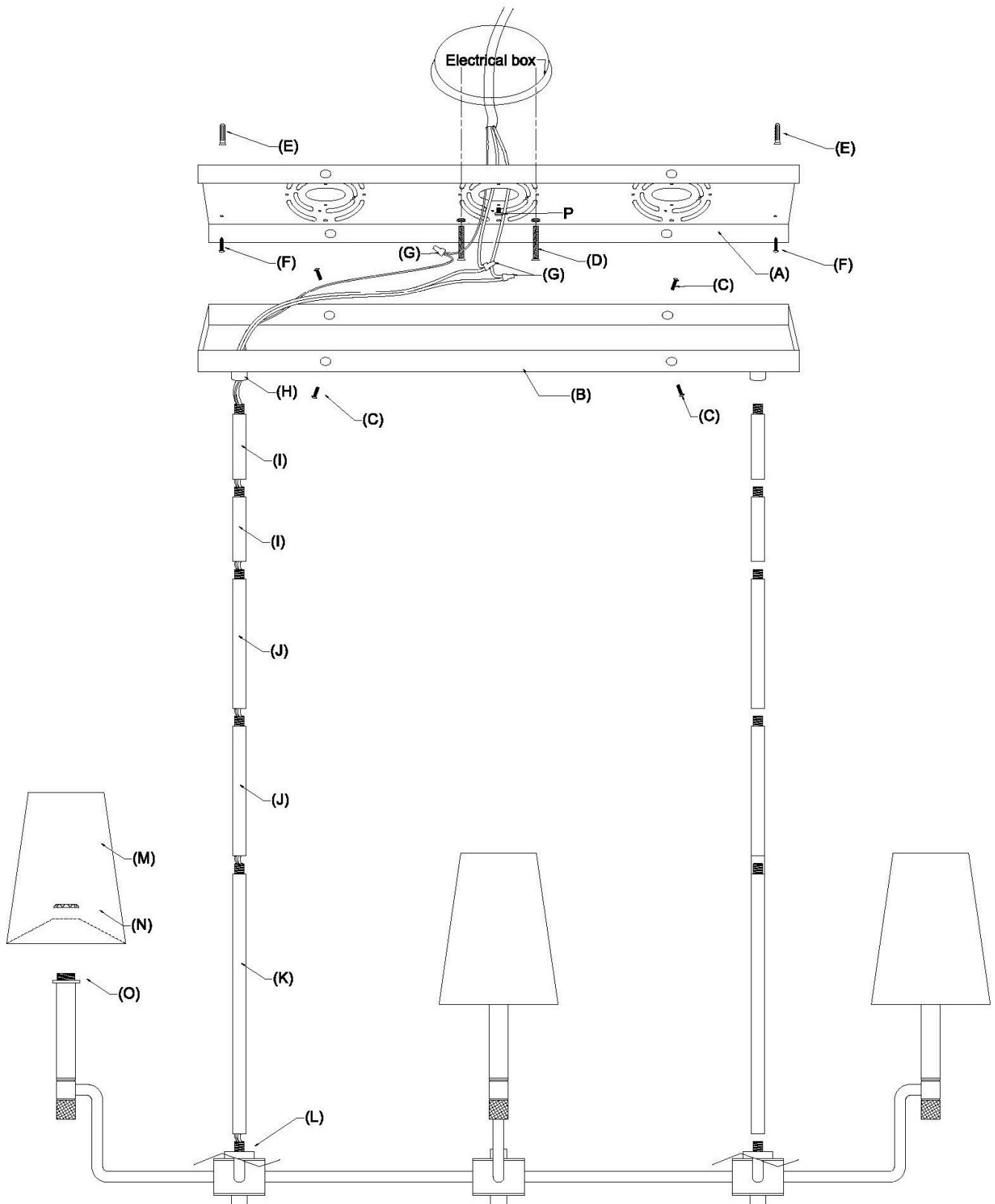
### Care and Cleaning:

1. Wipe with a soft dry cloth.
2. AVOID cleaners, scouring pads, etc.

After troubleshooting, if the lighting fixture still does not work, contact your local Ethan Allen Design Center.

# Turnbull Chandelier Linear Assembly Instructions continued

09-3058 / 093059



SAVE THESE INSTRUCTIONS

