

# ETHAN ALLEN®

## BRODIE SHADE LINEAR CHANDELIER ASSEMBLY INSTRUCTIONS

093047

### IMPORTANT SAFETY INSTRUCTIONS. READ THESE INSTRUCTIONS COMPLETELY BEFORE STARTING.

We strongly recommend that all direct-wired lighting products be installed by a licensed electrician. Two people may be required for installation. DO NOT EXCEED the rated bulb wattage. Keep flammable materials away from bulbs. This light fixture is shipped with all internal wiring intact. Do not open the product or alter the wiring in any manner.

Installation requires an electrical junction box in the ceiling sufficient to support the weight of the light fixture. This fixture weighs:17.38lbs. (7.9 kg).



**WARNING:** Be certain that the power to the electrical junction box is turned off at the circuit breaker before installation. Turning the power off at a light switch is not sufficient to prevent electrical shock.

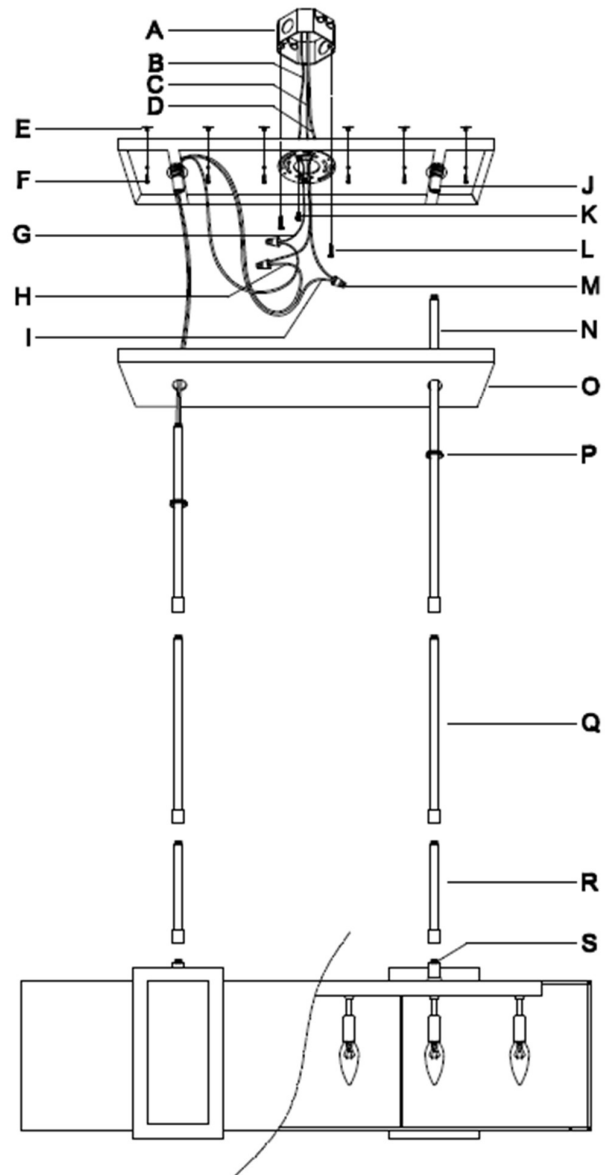
**CAUTION:** Prior to installation, locate All INCLUDED PARTS before disposing of packaging materials.

TOOLS REQUIRED FOR INSTALLATION	
Screwdrivers	Pliers
Electrical Tape	Wire Connectors
Wire Cutters	Adjustable Wrench

Note: Lightbulb not included. See the light fixture for bulb specification. Additional wiring supplies may be required.

Parts Not Included:		
Part	Qty.	Description
A	1	Ceiling Outlet Junction Box
B	1	Ground Junction Box Wire
C	1	Hot Junction Box Wire
D	1	Neutral Junction Box Wire

Parts Included (Refer to figure) :		
Part	Qty.	Description
E	6	Wall Anchor
F	6	Wall Screw
G	1	Ground Wire
H	1	Hot Fixture Wire
I	1	Neutral Fixture Wire
J	1	Mounting Bracket
K	1	Ground Screw
L	2	Mounting Screws
M	3	Wire Nut
N	2	Hanging Rod Link (18")
O	1	Canopy
P	2	Threaded Ring
Q	2	Hanging Rod Link (12")
R	2	Hanging Rod Link (6")
S	1	Fixture Body



SAVE THESE INSTRUCTIONS

## 093047 Brodie Shade Linear Chandelier Assembly Instructions, continued

### Assembly Procedure (refer to the figure):

1. SHUT OFF THE MAIN ELECTRICAL SUPPLY FROM THE MAIN FUSE BOX/CIRCUIT BREAKER.
2. Remove all the parts from the carton. Do not throw away any parts.
3. Connect the Hanging Rods, 6”(R) to the Fixture Body (S) by turning the Hanging Rods, 6” (R) clockwise until it is tightened. Choose your desired rod length. If all rods are being used follow instructions below. If a shorter grouping is being used, you can eliminate screwing on the rods marked (Q) and/or (N), 12” and/or 18” rods respectively.
4. Screw the Hanging Rod, 18” (N) to the Hanging Rod, 12” (Q) and then to the Hanging Rod, 6” (R) to determine the hanging height between the chandelier fixture and the ceiling. Do not string all together.
5. Carefully guide the wire through the hanging rod of your determined length. If necessary (depends on the final hanging height of the fixture), the additional length of the three wires can be cut off. When cutting wires, ensure that these are at least 6” long in the canopy.
6. Gently pull the existing Ground (B), Hot (C), and Neutral (D) Junction Box Wires down from the Ceiling Outlet Junction Box (A) and allow these to hang.
7. Carefully inspect the wires on the chandelier fixture. The Neutral Fixture Wire (I) is ribbed. The Hot Fixture Wire (H) is smooth, and the Ground Wire (G) is copper.
8. Attach the Ground Wire (G) from the fixture to the Ground Junction Box Wire (B); it usually has green insulation around it or is bare wire. Fasten these together with a Wire Nut (M) and wrap the connection with electrical tape. Make sure no wire strands are exposed. If your Ceiling Outlet Junction Box (A) does not have a Ground Junction Box Wire (B), insert the Ground Screw (K) into the Mounting Bracket (J) where it is marked “Ground” and wrap the bare ground wire from the chandelier around the Ground Screw (K). Tighten the screw to clamp the Ground Junction Box Wire (B) between the Ground Screw (K) head and the Mounting Bracket (J). It is imperative that the Ceiling Junction Box (A) in your home be properly grounded.
9. Connect the Neutral Fixture Wire (I) to the Neutral Junction Box Wire (D). It usually has white insulation around it. Fasten these together with a plastic Wire Nut (M) and wrap the connection with electrical tape. Make sure that no wire strands are exposed.
10. Connect the Hot Fixture Wire (H) to Hot Junction Box Wire (C). It usually has black insulation around it. Fasten these together with a plastic Wire Nut (M) and wrap the connection with electrical tape. Make sure that no wire strands are exposed. Do not reverse the hot and neutral connections or safety will be compromised.
11. Gently tuck the wire connections neatly into the Ceiling Outlet Junction Box (A).
12. Attach the Mounting Bracket (J) to the Ceiling Outlet Junction Box (A) using the Mounting Screws (L). Tighten the screws with a screwdriver until secure.
13. Slide the Canopy (O) and the Threaded Ring (P) up the Hanging Rod.
14. Place the Canopy (O) over the Ceiling Outlet Junction Box (A) and secure it in place by screwing the Threaded Ring (P).
15. Insert six (6) 25-Watt maximum Type B Candelabra incandescent light bulbs (not included) or six (6) 6-watt maximum compact fluorescent light bulb (not included) or six (6) 4-watt maximum LED light bulb (not included) into the socket. Do not exceed the specified wattage.

### Care Instructions

1. Wipe with a soft, dry cloth.
2. AVOID cleaners, harsh chemicals, scouring pads, etc. as these may cause damage to the chandelier finish.

After troubleshooting, if the light fixture still does not work, contact your local Ethan Allen Design Center.