

ETHAN ALLEN®

ADHIRA GLASS AND PENDANT ASSEMBLY INSTRUCTIONS

09-3027, 09-3028

IMPORTANT SAFETY INSTRUCTIONS. READ THESE INSTRUCTIONS COMPLETELY BEFORE STARTING.

We strongly recommend that all direct-wired lighting products be installed by a licensed electrician. Two people may be required for installation. DO NOT EXCEED the rated bulb wattage. Keep flammable materials away from bulb. This light fixture is shipped with all internal wiring intact. Do not open the product or alter the wiring in any manner.

Installation requires an electrical junction box in the ceiling sufficient to support the weight of the light fixture.

This fixture weighs **X.X** lbs./**X.X** kg.



WARNING: Be certain that the power to the electrical junction box is turned off at the circuit breaker before installation. Turning the power off at a light switch is not sufficient to prevent electrical shock.

CAUTION: Prior to installation, locate ALL INCLUDED PARTS before disposing of packaging materials.

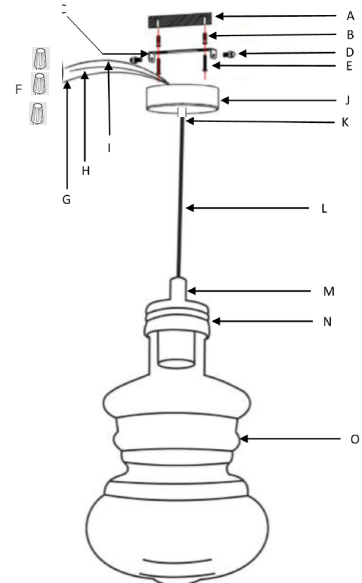
TOOLS REQUIRED FOR INSTALLATION:

1. Screwdriver
2. Electrical Tape
3. Wire Cutters

Note: Light bulb(s) are not included, except where required by State of California Title 20. See light fixture for bulb specification. Additional wiring supplies may be required.

Part	Qty.	Description
A	1	Mounting Bracket
B	2	Wall Plugs
C	1	Canopy Holder
D	2	Canopy Side Screws
E	2	Mounting Screws
F	3	Wire Connector
G	1	Neutral Fixture Wire

H	1	Ground Wire
I	1	Hot Fixture Wire
J	1	Canopy
K	1	Cord Grip
L	1	Wire
M	1	Cord grip
N	1	Holder Cap
O	1	Fixture body



Assembly Procedure (refer to figure):

1. SHUT OFF THE MAIN ELECTRICAL SUPPLY AT THE FUSE BOX/JUNCTION.
2. Remove all parts from carton and place them on a soft, nonabrasive surface. Do not throw away any parts.
3. Gently pull wiring down from ceiling junction box and allow it to hang.
4. Remove Mounting Plate (A) and Canopy holder (C) from the Canopy (J).
5. Make proper electrical connection as described in steps 6-9. A LICENSED ELECTRICIAN IS RECOMMENDED.
6. Carefully inspect pendant's fixture wires.
Neutral fixture wire: white
Hot fixture wire: black
Ground wire: green

Adhira Glass Pendant Assembly Instructions (continued)

09-3027, 09-3028

7. Attach the GROUND WIRE from the pendant to the GROUND JUNCTION BOX WIRE (usually green) from the CEILING JUNCTION BOX. Fasten each together with a Plastic Wire Connector (F) by twisting the connector in a clockwise direction and wrapping the connection with electrical tape. Make sure that no wire strands are exposed.

If your CEILING JUNCTION BOX does not have a GROUND WIRE:

- Insert the GROUND SCREW into the CANOPY HOLDER (C), marked as "GND," facing front.
- Wrap the fixture's bare GROUND WIRE around the GROUND SCREW.
- Tighten the screw to clamp the GROUND WIRE between the GROUND SCREW head and CANOPY HOLDER (C).

IT IS IMPERATIVE THAT THE JUNCTION BOX IN YOUR HOME BE PROPERLY GROUNDED!

8. Connect the NEUTRAL FIXTURE WIRE from the pendant fixture to the NEUTRAL JUNCTION BOX WIRE (usually white). Fasten each together with a Plastic Wire Connector (F) by twisting the connector in a clockwise direction and wrapping the connection with electrical tape. Make sure that no wire strands are exposed.
9. Connect the HOT FIXTURE WIRE from the pendant fixture to the HOT JUNCTION BOX WIRE (usually black). Fasten each together with a Plastic Wire Connector (F) by twisting the connector in a clockwise direction and wrapping the connection with electrical tape. Make sure that no wire strands are exposed. DO NOT REVERSE THE HOT AND NEUTRAL CONNECTIONS OR SAFETY WILL BE COMPROMISED.
10. Carefully push wire connections back into the ceiling junction box.
11. Place the Mounting bracket (A) over the center of the ceiling junction box.
12. Align holes in the Mounting bracket (A) with holes in junction box and attach with two Wall plugs (B). Align holes in Canopy holder (C) over Mounting bracket (A) and attach into junction box with two Mounting screws (E).
13. Push Canopy (J) up over the Canopy holder (C) until it is flush with the ceiling.
14. Secure canopy (J) by inserting canopy side screws (D) into holes that align up with holes in canopy holder (C).
15. Make sure screw in Cord grip (K) is tightened.
16. Insert one LED 5-watt max E26 bulb (not included) into the socket. DO NOT EXCEED SPECIFIED WATTAGE OF PENDANT.
17. Insert the Fixture body (O) onto the Holder cap (N). Tighten by gently turning clockwise.
18. Restore power to junction box and test fixture.

Care and Cleaning:

1. Wipe with a soft dry cloth.
2. AVOID cleaners, scouring pads, etc.

After troubleshooting, if the lighting fixture still does not work, contact your local Ethan Allen Design Center.

SAVE THESE INSTRUCTIONS