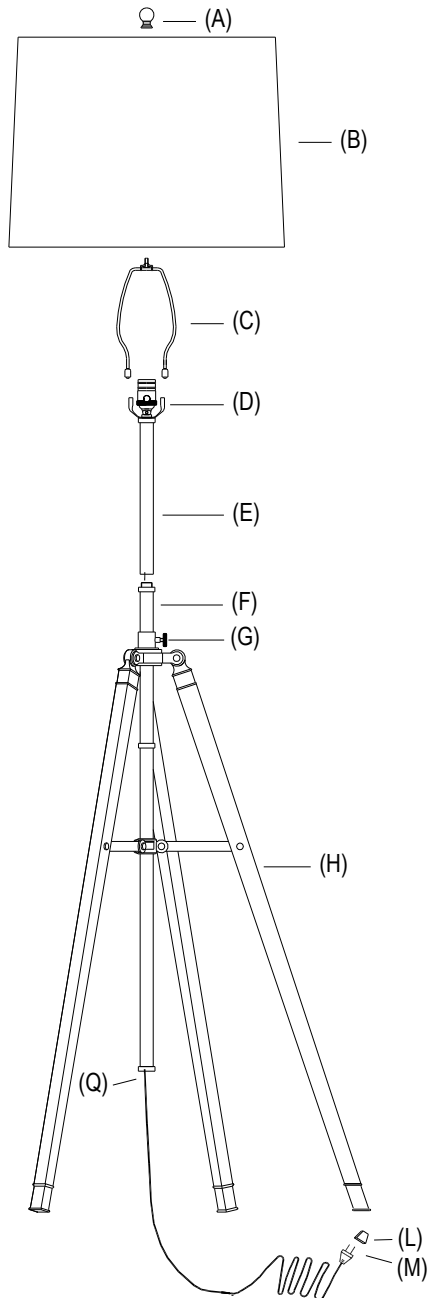


ETHAN ALLEN®

09-2550/09-2552 Surveyors Floor



ASSEMBLY INSTRUCTIONS

Carefully remove all parts from packaging and check materials thoroughly before disposing of box and packaging.

CAUTION: Do not plug the lamp into electrical outlet before assembly is completed.

1. Remove all parts carefully from the carton.
2. Unfold the tripod legs (H) on the floor.
3. Remove white plastic bushing inside bottom opening of pole (E) before assembly.
4. Screw pole (E) on top nipple of pole (F).
5. Tighten cord clamp screw (Q).
6. Insert harp (C) into the harp saddle (D) by squeezing both sides of the harp.
7. Remove finial (A) from harp (C). Place lamp shade (B) over the bolt attached to the top of the harp. Screw finial (A) onto the bolt to secure the shade to the harp.
8. Install bulb of correct type and wattage. See label on lamp.
9. Remove protective plastic (L) from electrical plug (M).
10. Plug lamp into electrical outlet.

ADJUSTMENT INSTRUCTIONS

1. Loosen adjustment key (G).
2. Adjust lamp by sliding pole (F) to desired height.
3. Tighten adjustment key (G).