

ETHAN ALLEN®

Tomas Floor Lamp Assembly Instructions

09-2122/09-2123

IMPORTANT SAFETY INSTRUCTIONS

TO REDUCE THE RISK OF FIRE, ELECTRICAL SHOCK, AND PERSONAL INJURY: This lighting fixture is for indoor use only. This lamp is equipped with a polarized plug. One plug blade is wider than the other. DO NOT MODIFY the plug or power cord in any way. DO NOT EXCEED the recommended bulb wattage. Use only the type of bulb specified. Keep flammable materials away from bulb. DO NOT OPEN the product or alter the wiring in any manner. Extension cord: Follow precautions provided with power cord.

Use care when unpacking. Locate ALL PARTS INCLUDED before disposing of packaging materials.

ASSEMBLY, CARE, AND TROUBLESHOOTING

No tools are required for assembly. Light bulb is not included.

Parts Included (refer to figure):

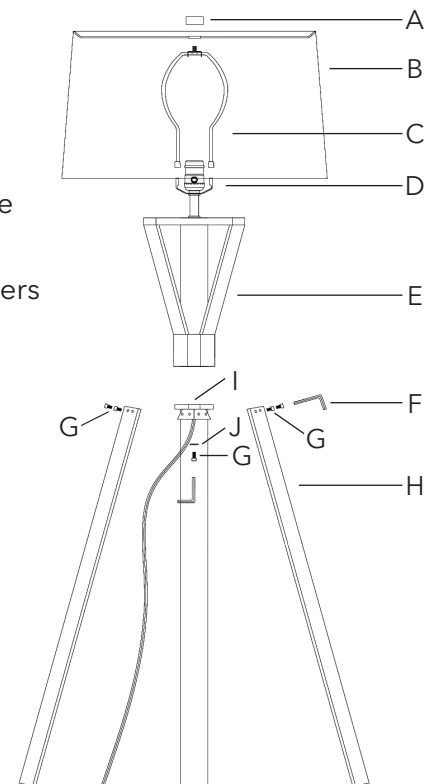
- A. Shade Finial
- B. Shade (may be packed in separate carton)
- C. Harp (styles may vary)
- D. Lamp Socket (attached, no assembly required)
- E. Upper Lamp Base
- F. Allen Key
- G. Screws (7)
- H. Legs (3)
- I. Center Lamp Base
- J. Washer
- K. Plastic Cord Holders

Assembly Procedure (refer to figure):

1. Place one Leg (H) against the Center Lamp Base (I) so that the openings designated for the Screws (G) are aligned. Using the Allen Key (F), insert the Screws through the opening in the leg and into the opening of the Center Lamp Base until the parts fit together securely. Repeat for each Leg.
2. Pull the power cord from the Upper Lamp Base (E), through Center Base (I) (not in center hole, but in side hole) and then along the Leg that has the opening for the cord.
3. Lower the Upper Lamp Base (E) onto the Center Lamp Base (I).
4. Screw the Washer (J) to the bottom of the Center Lamp Base (I), making sure that the power cord is free and not compacted.
5. Insert the Harp (C) into the Upper Lamp Base (E).
6. Lower the Shade (B) onto the Harp (C).
7. Screw the Shade Finial (A) into the Harp (C) to secure the Shade (B).
8. Install a light bulb into the Lamp Socket (D). Remove the power cord plug cap and plug the lamp into an outlet.
9. Stick Cord Holders (K) to the Leg with the cord opening and thread the cord into the Cord Holders.

Care and Cleaning:

1. Wipe with a soft dry cloth.
2. AVOID cleaners, scouring pads, etc.
3. Before changing bulb, unplug lamp and allow bulb to cool.



TROUBLESHOOTING:

Problem:	Possible Cause:	What to Do:
Bulb does not light	Bulb is burnt out or damaged	Replace bulb
	Power to lamp is off	Confirm power is on
	Lamp is not plugged in	Confirm lamp is plugged in

After troubleshooting, if the lighting fixture still does not work, contact your local Ethan Allen Design Center.

SAVE THESE INSTRUCTIONS