

ETHAN ALLEN®

Macie Pharmacy Floor Lamp Assembly Instructions

09-2119/09-2120

IMPORTANT SAFETY INSTRUCTIONS

TO REDUCE THE RISK OF FIRE, ELECTRICAL SHOCK, AND PERSONAL INJURY: This lighting fixture is for indoor use only. This lamp is equipped with a polarized plug. One plug blade is wider than the other. DO NOT MODIFY the plug or power cord in any way. DO NOT EXCEED the recommended bulb wattage. Use only the type of bulb specified. Keep flammable materials away from bulb. DO NOT OPEN the product or alter the wiring in any manner. Extension cord: Follow precautions provided with power cord.

Use care when unpacking. Locate ALL PARTS INCLUDED before disposing of packaging materials.

ASSEMBLY, CARE, AND TROUBLESHOOTING

No tools are required for assembly. Light bulb is not included.

Parts Included (refer to figure):

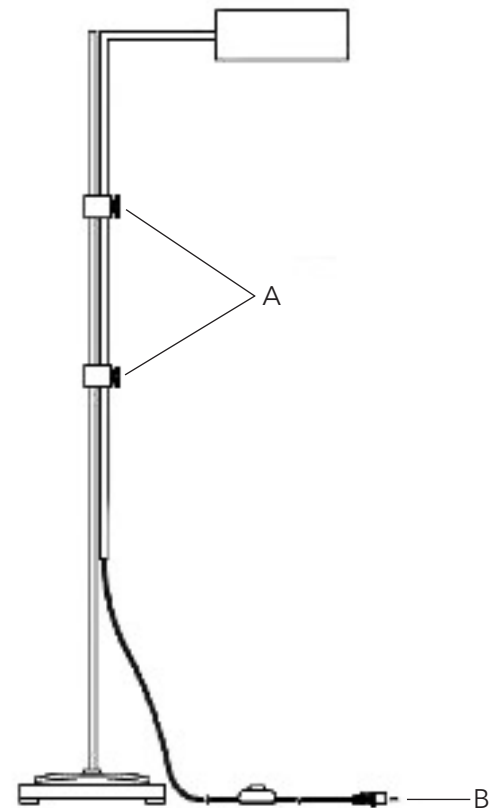
- A. Metal Knobs (2)
- B. Line Cord Plug Cover

Assembly Procedure (refer to figure):

1. Unpack the whole lamp from carton carefully.
2. Unscrew the Metal Knobs (A), and raise or lower the lamp arm to desired position. Tighten the Metal Knobs.
3. Insert one (1) 60-watt maximum TYPE B candelabra base incandescent light bulb (not included) into the socket. It is highly recommended to use the 60-Watt Type T Edison bulb to achieve the best look for this lamp. DO NOT EXCEED SPECIFIED WATTAGE.
4. Remove Line Cord Plug Cover (B) from plug.

Care and Cleaning:

1. Wipe with a soft dry cloth.
2. AVOID cleaners, scouring pads, etc.
3. Before changing bulb, unplug lamp and allow bulb to cool.



TROUBLESHOOTING:

Problem:	Possible Cause:	What to Do:
Bulb does not light	Bulb is burnt out or damaged	Replace bulb
	Power to lamp is off	Confirm power is on
	Lamp is not plugged in	Confirm lamp is plugged in

After troubleshooting, if the lighting fixture still does not work, contact your local Ethan Allen Design Center.

SAVE THESE INSTRUCTIONS