

Victoria Floor Lamp Assembly Instructions

09-2017 BRS

IMPORTANT SAFETY INSTRUCTIONS

TO REDUCE THE RISK OF FIRE, ELECTRICAL SHOCK, AND PERSONAL INJURY:

This lighting fixture is for indoor use only. This lamp is equipped with a polarized plug. One plug blade is wider than the other. **DO NOT MODIFY** the plug or power cord in any way. **DO NOT EXCEED** the recommended bulb wattage. Use only the type of bulb specified. Keep flammable materials away from the bulb. **DO NOT OPEN** the product or alter the wiring in any manner. If using an extension cord, follow precautions provided with the power cord.

Use care when unpacking. Locate **ALL THE PARTS INCLUDED** before disposing of packaging materials. Remove the silica gel packet from the socket before plugging the lamp into an outlet.

ASSEMBLY, CARE, AND TROUBLESHOOTING

- No tools required for assembly
- Light bulb (23W LED E26, three-way) is not included

Parts Included: (Refer to Figure)

- A. Shade Finial
- B. Plastic Washer
- C. Shade
- D. Harp
- E. Lamp Body Top
- F. Screw
- G. Lamp Body Bottom

Assembly Procedure: (Refer to the Figure)

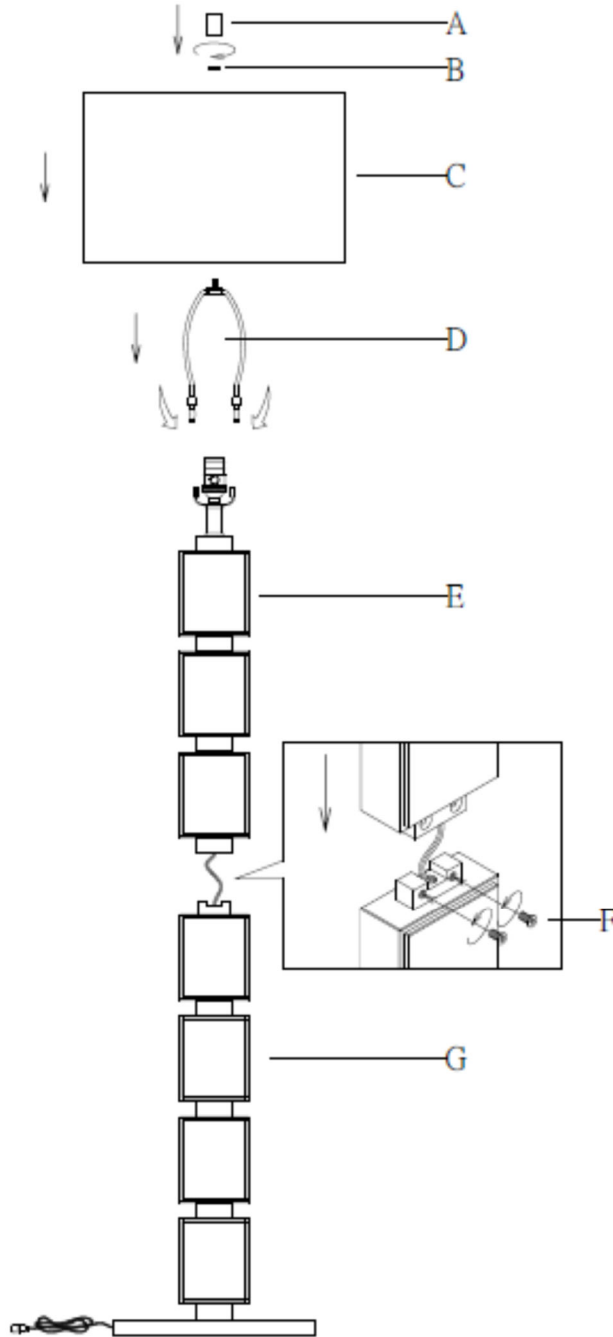
1. Insert Lamp Body Top (E) onto Lamp Body Bottom (G). Pull cord taut from below base to prevent damage to the wire. Turn until hand tight.
2. Insert Screw (F) into the lamp body's screw holes at the junction, hand-tightening until they're secure.
3. Install Harp (D) onto saddle.
4. Install Shade (C) onto Harp (D).
5. Put Plastic Washer (B) onto Harp (D). Install Shade Finial (A) onto Harp over Plastic Washer.
6. Install bulb (23W LED E26, three-way) into lamp socket.
7. Remove plug cap from plug.

Caring for and cleaning your lamp:

1. To clean, wipe with a soft, dry cloth.
2. Avoid cleaners, scouring pads, etc., as these may cause damage to the lamp finish.
3. Before changing bulb, unplug the lamp and allow the bulb to cool first.

Troubleshooting:

Problem:	Possible cause:	Correction:
Bulb does not light	Bulb is burnt or damaged	Replace bulb
	Power to lamp is off	Confirm power is on
	Lamp is not plugged in	Confirm lamp is plugged in



If the fixture still does not work after troubleshooting, please contact your local Ethan Allen Design Center.

SAVE THESE INSTRUCTIONS