

LAMONTAGNE BAR UNIT ASSEMBLY INSTRUCTIONS

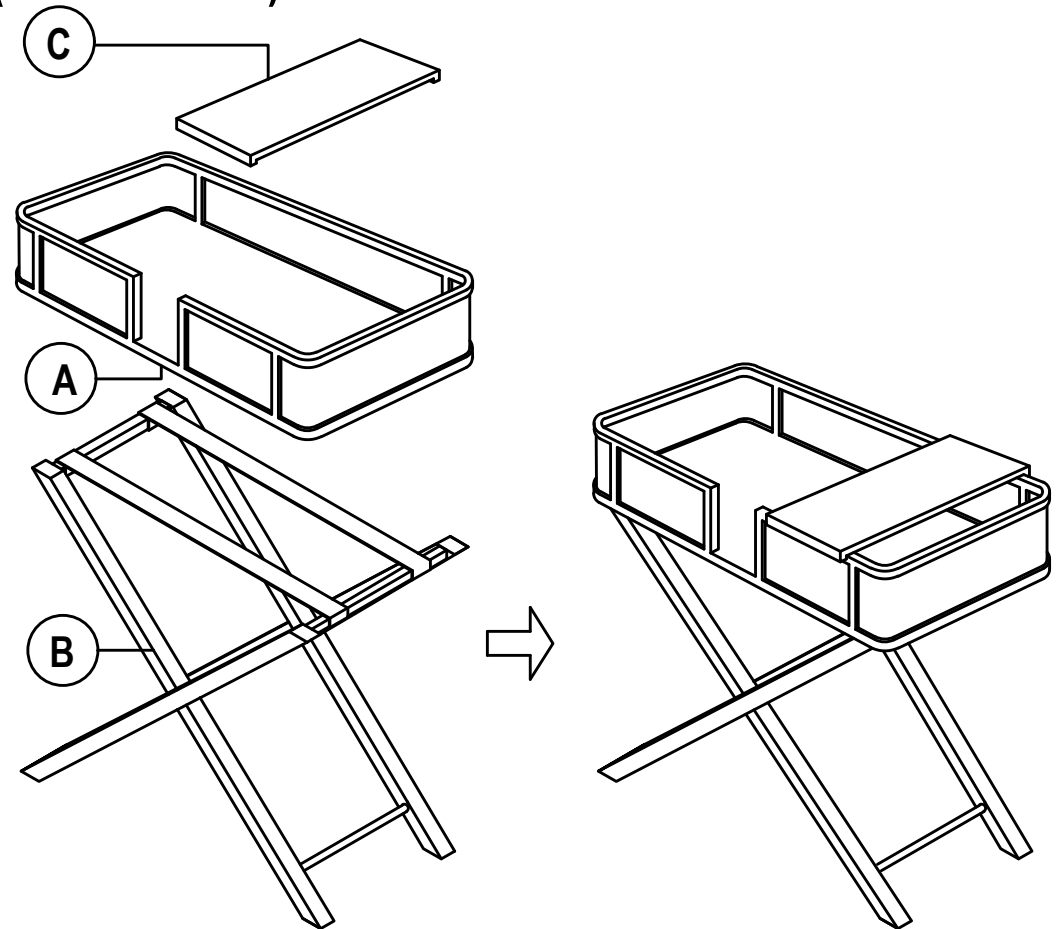
(421860 NAT)

Parts Included (refer to figure)		
Parts	Qty.	Description
A	1	Tray Top
B	1	Foldable wooden legs
C	1	Stone tray

ASSEMBLY PROCEDURE (refer to figure)

1. Unpack the tray top (A) and foldable wooden legs (B) (should match parts section completely).
2. Stand the foldable wooden leg (B) on flat surface and lower the tray top (A) as shown in figure.
3. Unpack the stone tray (C) and place across tray from edge to edge.

1. Wipe with a soft dry cloth.
2. AVOID using cleaners, scouring pads, etc.
3. This bar unit is designed to support a maximum weight of 50 lbs. (22.7 kg.)



If you need assistance with assembling this piece, please contact your local design center.

SAVE THESE INSTRUCTIONS